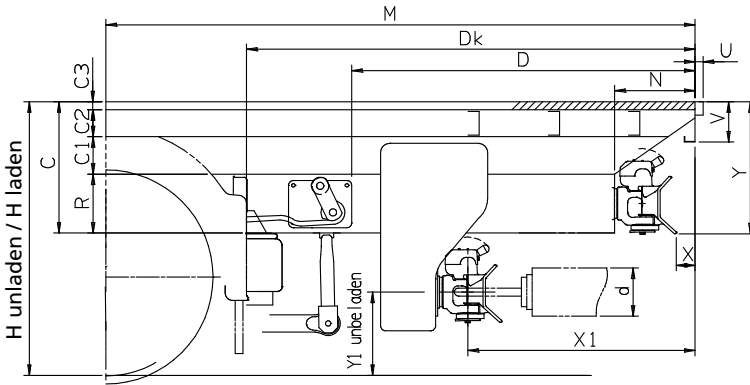


Entry form (motor vehicle, semi-trailer or trailer)

Motor vehicle

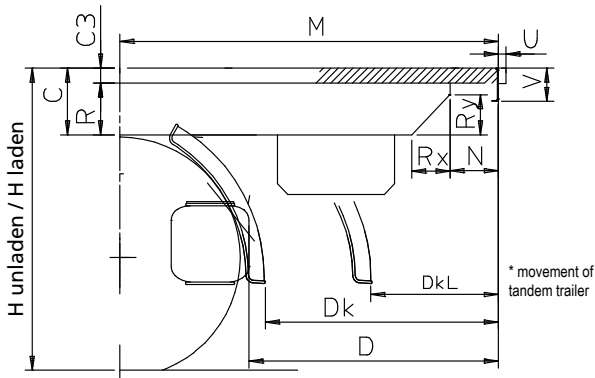


MBB PALFINGER GmbH  
 Fockestr. 53, D-27777 Ganderkesee  
 Tel.: +49 (0)4221 853-337/338/339  
 www.palfinger.com/mbb

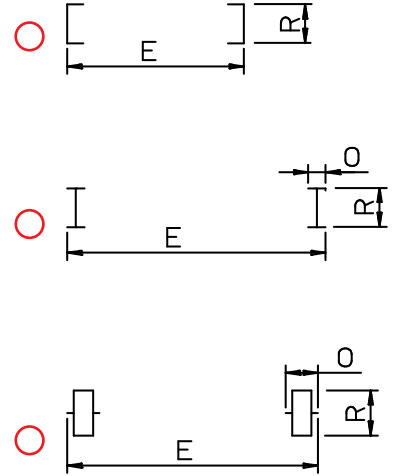
Tail lift

Type:	
Lifting capacity:	
Platform height:	
Platform width:	

Semi-trailer or trailer



Please choose the type of chassis frame:



Please enter dimensions:

H unladen		M to the rear axle	
H laden		N body overhang	
C1 side member		d drawbar diametre	
C2 cross member		V rear wall	
C3 floor panel		U nose	
C (R+C1+C2+C3)		Rx cut out	
D to spring		Ry cut out	
Dk to mud guard		DKL*	

E frame dim.	
O width of belt	
R frame height	

vehicle manufacturer:	
vehicle type:	
long wheel base:	
dimension drivers cab:	
box dim. outside width:	
box overall length:	

Please provide information requested below:

stabilizer     mechanical     hydraulic  
 hitch    X: .....    Y: .....  
 low coupling    X1: .....    Y1: .....  
 ball head coupling

rear axle suspension:     leaf spring  
                                    pneumatic spring/air suspension  
 voltage:     12 volt  
                   24 volt

company:  
 address:  
 postal code/town:

comments:

date: .....    po#: .....    contact: .....    tel.: .....

